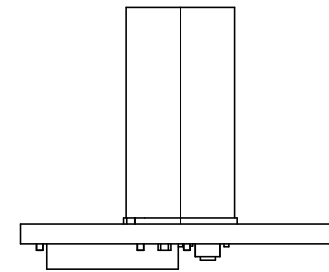
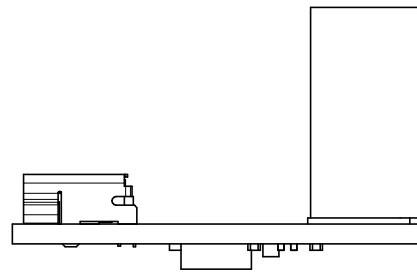
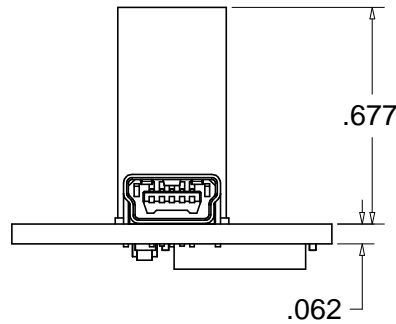
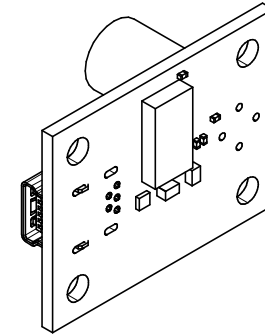
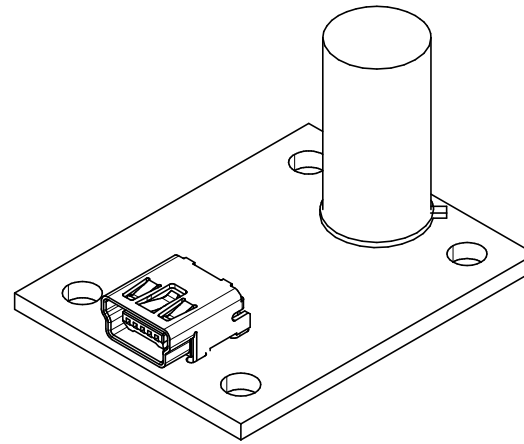
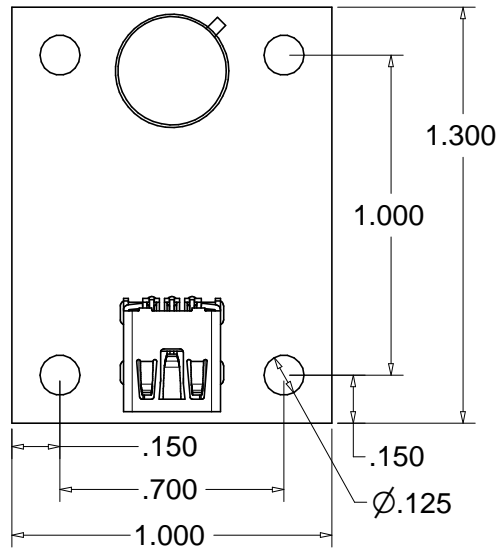


1045_1 Mechanical Drawing



Scale 1:0.6
Units are in Inches