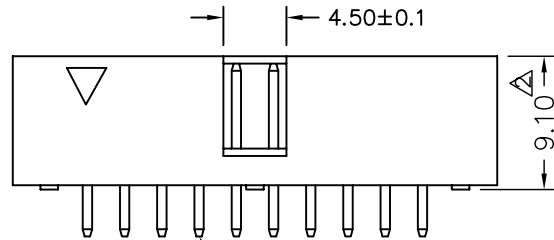
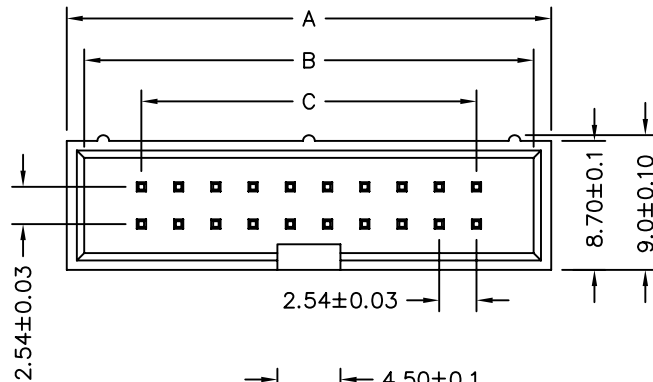
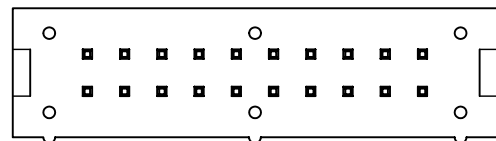
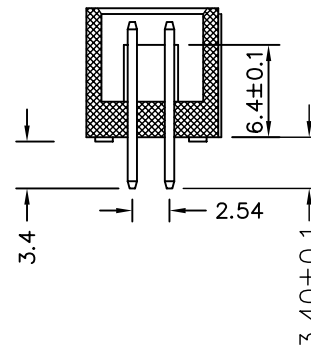


SPECIFICATIONS

Current Rating: 1 Amp
 Insulator resistance: 1000 Megohms /500V DC.
 Operating Temperature: -55°C To +105°C
 Voltage: 500V/1 Min.
 Contact Material: Brass, Gold Plated 1u"
 Insulator Material: PBT 70%+30% Glass Fiber (UL94V-0)
 Black



Solder end:
0.64 Sq.



No. of Contacts	DIMENSIONS		
	A	B	C
10	20.25	18.00	10.16
14	25.40	23.20	15.24
△ 16	27.90	25.70	17.78
20	33.00	30.80	22.86
26	40.60	38.40	30.48
34	50.85	48.70	40.64
40	58.50	56.15	48.26
50	70.00	68.85	60.96
60	84.00	81.75	73.66
64	89.30	86.85	78.74

4UCON 元化興業股份有限公司
 4UCON TECHNOLOGY INC.

DRAWING No.
03554

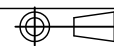
APPROVED BY MEI
 CHECKED BY LHC
 DRAWING BY HXY
 REV. A2

UNLESS OTHERWISE SPECIFIED
 TOLERANCES ARE
 .X ±0.38
 .XX ±0.25
 ANG.

SCALE NONE

REV. A2

UNIT mm



NO.	REV.	REVISIONS	CHK	DATE
△ A2		Add. Dim.	BECKY	2004/03/18
△ A1		DimA:29.70 → 27.90	BECKY	2004/03/16