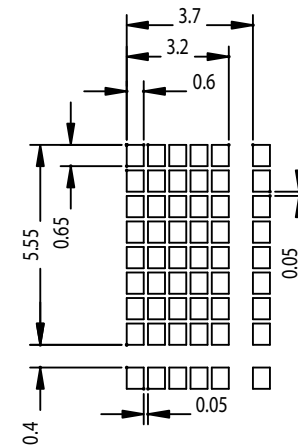


## DOTS DETAIL

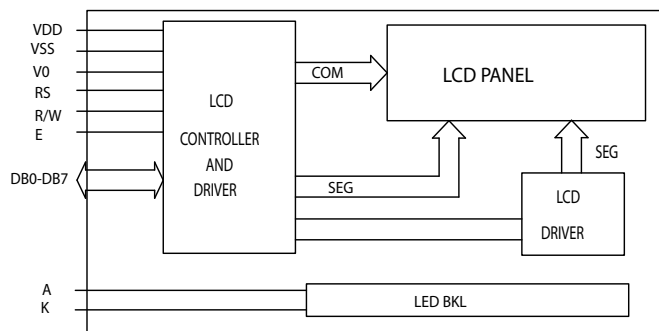


PIN NO	Symbol
1	VSS
2	VDD
3	V0
4	RS
5	R/W
6	E
7	DB0
8	DB1
9	DB2
10	DB3
11	DB4
12	DB5
13	DB6
14	DB7
15	A
16	K

## Feature

- 2-line x20 characters display; 5x8 dots with cursor
- Built-in controller (KS0066U or Equivalent)
- +5V power supply(Also available for +3.3V)
- 1/16 duty cycle;1/5bias;
- TN, HTN, STN or FSTN mode
- BKL to be driven by pin1, pin2, or pin15, pin16, or A, K

## Block diagram:



## Display character address code

Display position

	1	2	3	4	5	---	---	---	---	14	15	16
DDRAM address	00	01	02	---	---	---	---	---	---	12H	13H	
DDRAM address	40	41	42	---	---	---	---	---	---	52H	53H	

## Mechanical thickness

LCD module thickness	T1	T2	UNIT
Without or EL backlight	4.6	9.5	mm
With edge LED backlight	---	---	mm
With LED bottom backlight	9.3	13.5	mm

## Mechanical data

Item	Standard	Unit
Module dimension	116.0x37.0	mm
Viewing area	83.0x18.6	mm
Dot size	0.60x0.65	mm
Character size	3.20x5.55	mm

## Absolute Maximum Rating

Item	Symbol	Standard			Unit
		Min	Typ	Max	
Input voltage	VI	-0.3	-----	5.5	V
Power supply	VDD-VSS	-0.3	-----	VDD	

## Electronical characteristics

Item	Symbol	Condition	Standard			Unit
			Min	Typ	Max	
Input voltage	VDD	+5V	4.7	5.0	5.5	V
		+3.3V	2.7	3.3	5.3	
Supply current	IDD	VDD=5V	-----	2.0	4	mA
Recommended LCD driving voltage for normal temp version module	VDD-V0	-20°C	4.8	5.0	5.3	
		0 °C	4.6	4.8	5.0	
		25°C	4.3	4.5	4.7	
		50°C	4.2	4.3	4.5	
		70°C	4.1	4.2	4.3	
LED forward voltage	VF	25°C	-----	4.2	4.6	V
LED forward current	IF	25°C	-----	140	-----	mA
EL power supply current	IEL	VEL=110V AC 400Hz	-----	-----	-----	mA