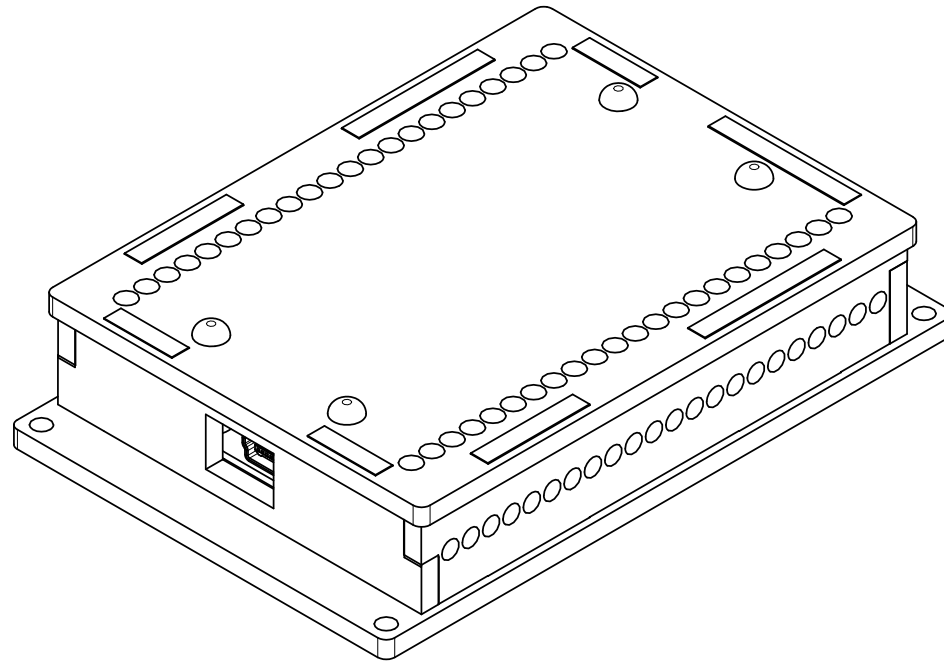
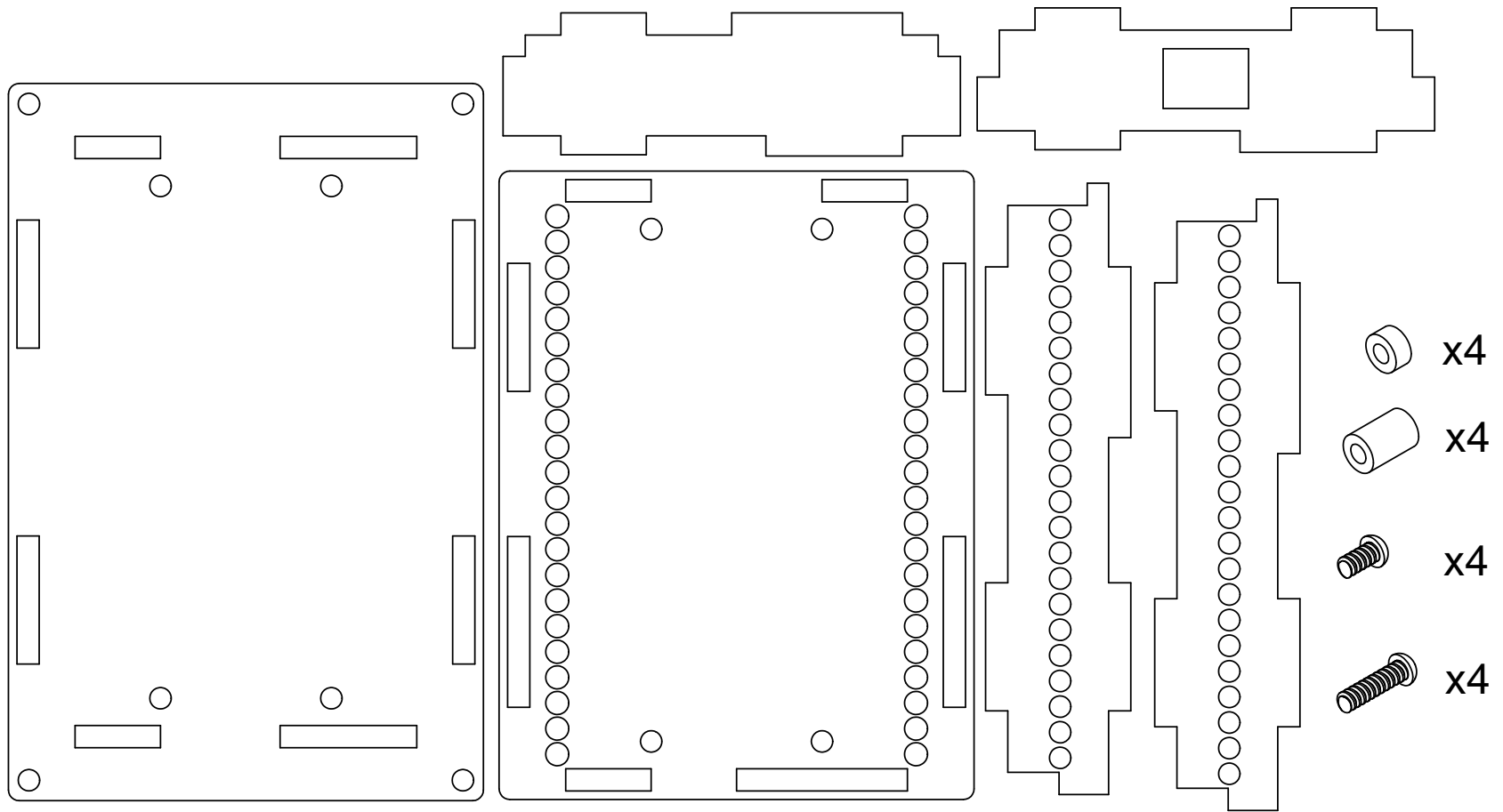


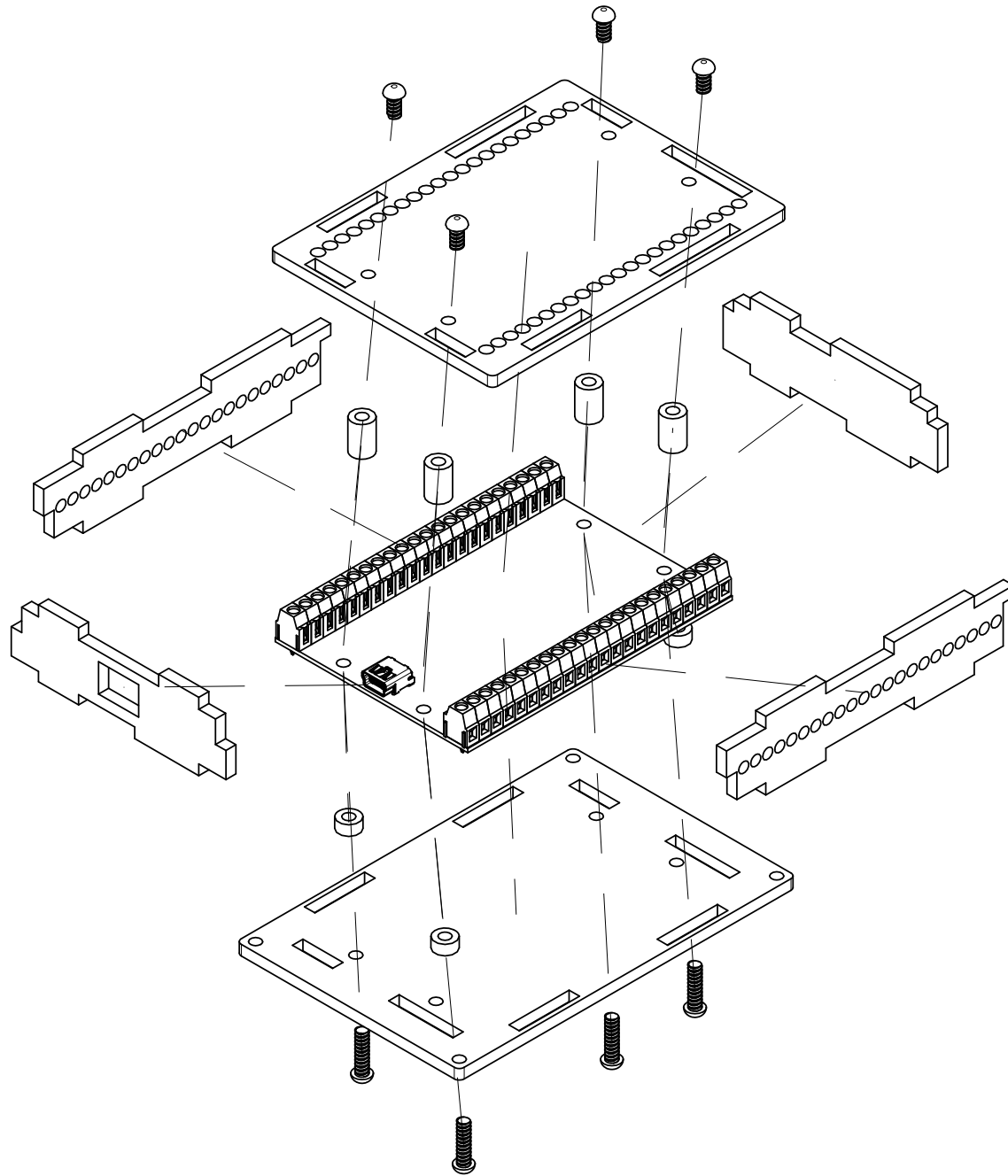
Phidget Enclosure Assembly Instructions

PN 3801 : Acrylic Enclosure for 1012 PhidgetInterfaceKit 0/16/16

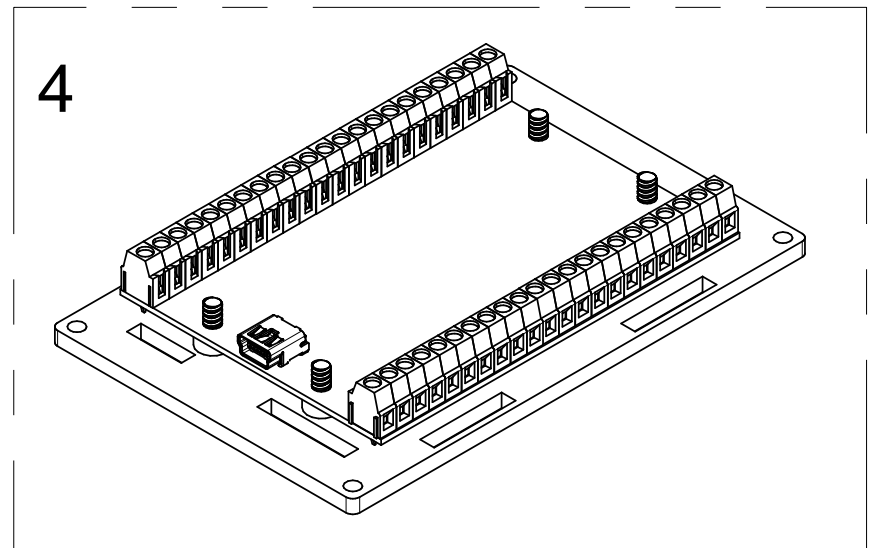
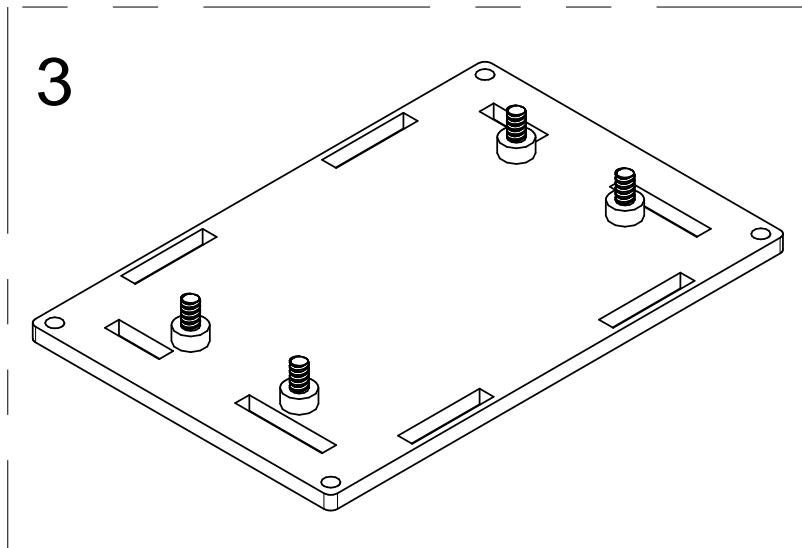
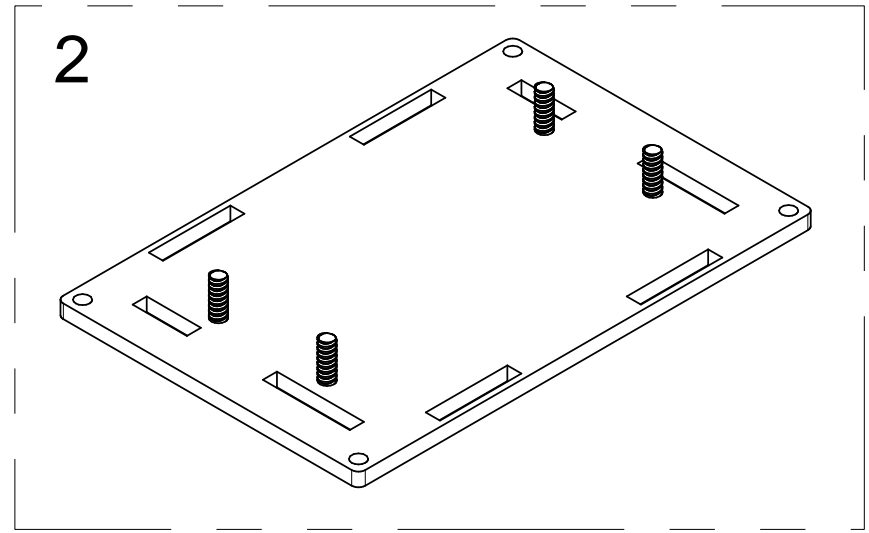
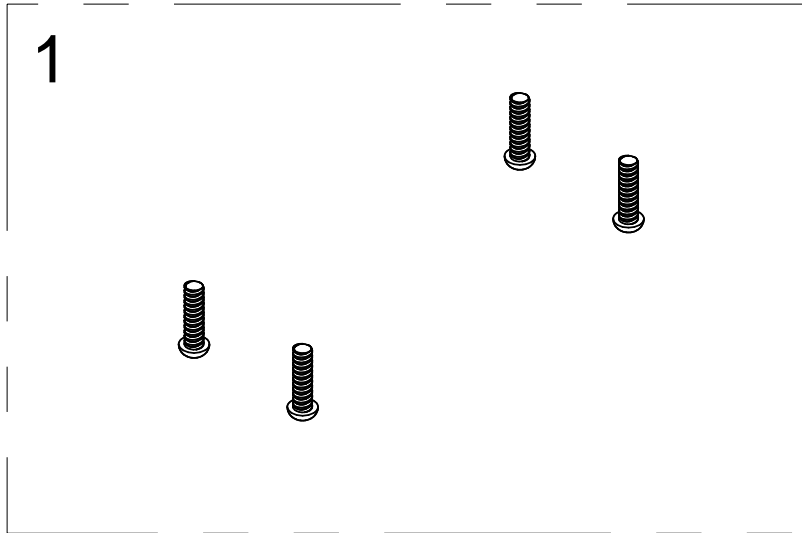


Contents of Enclosure Kit

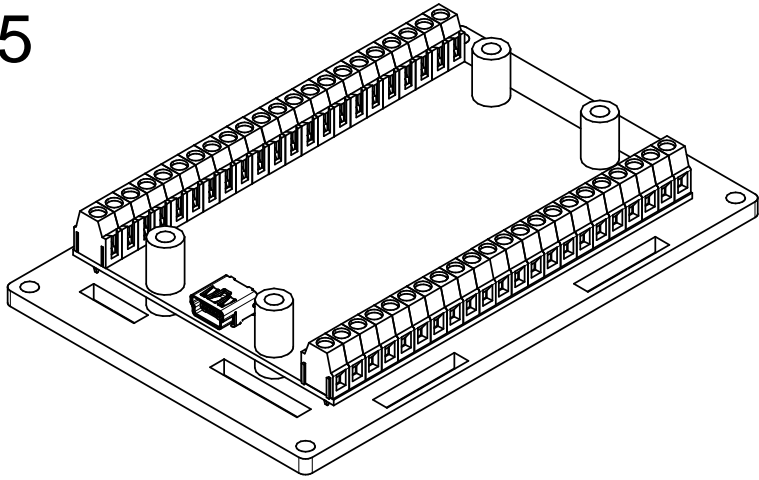




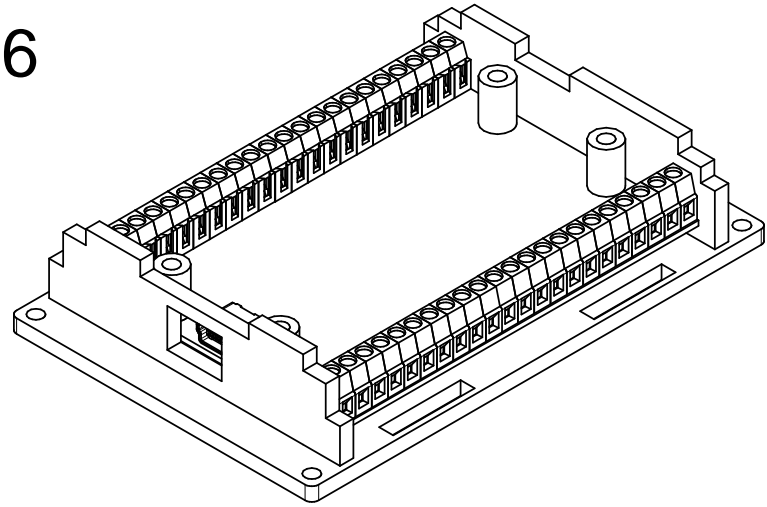
Assembly Instructions



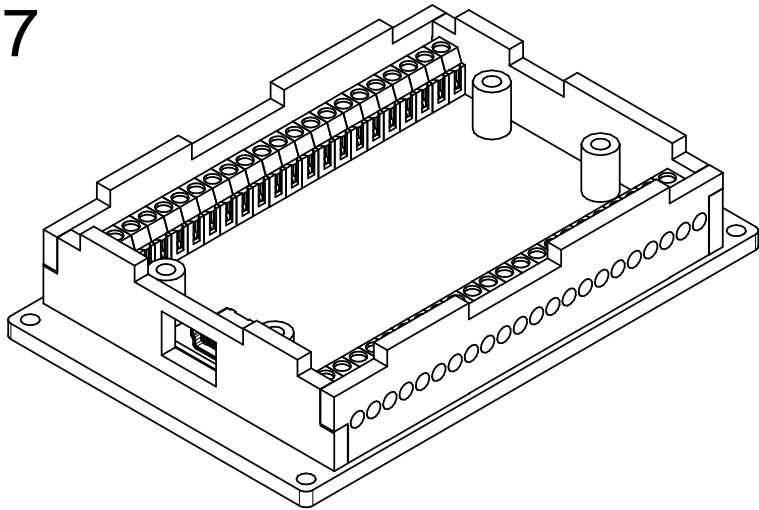
5



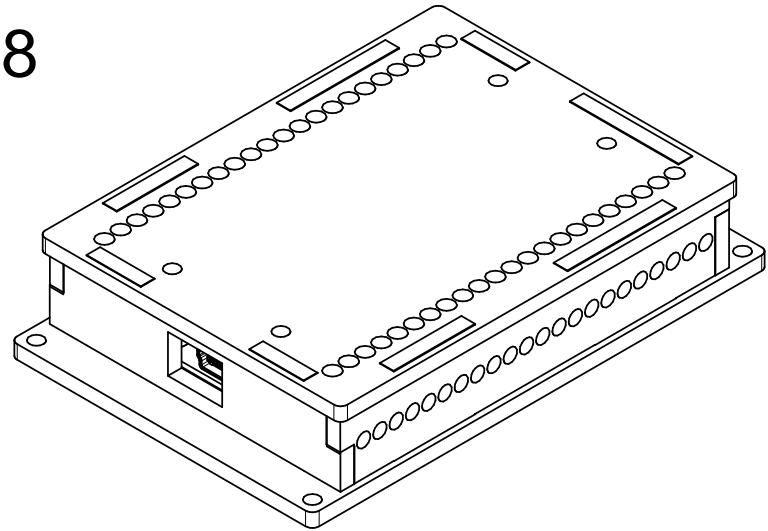
6



7



8



9

