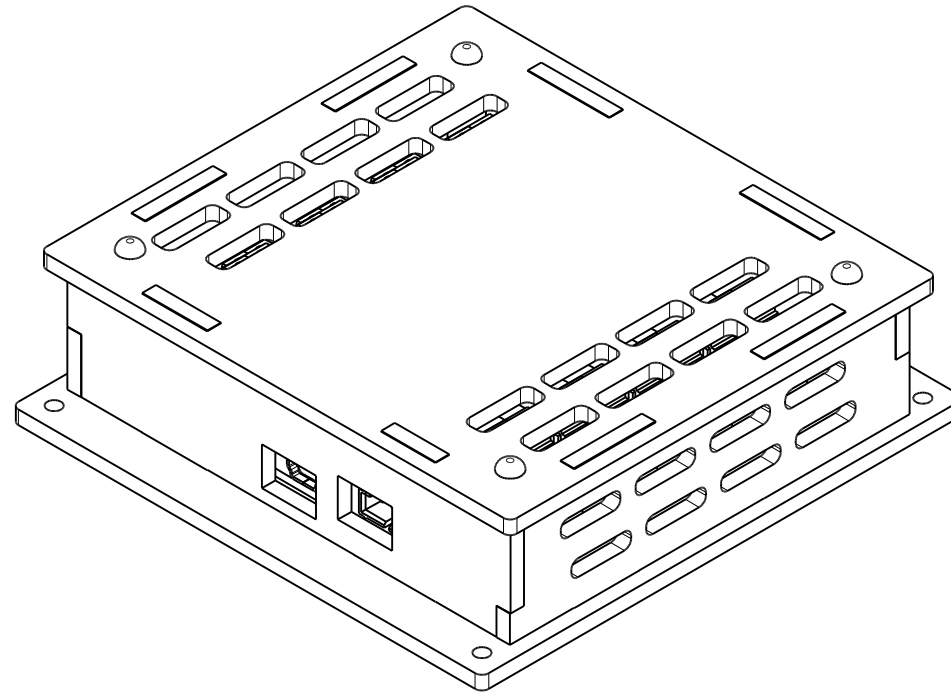
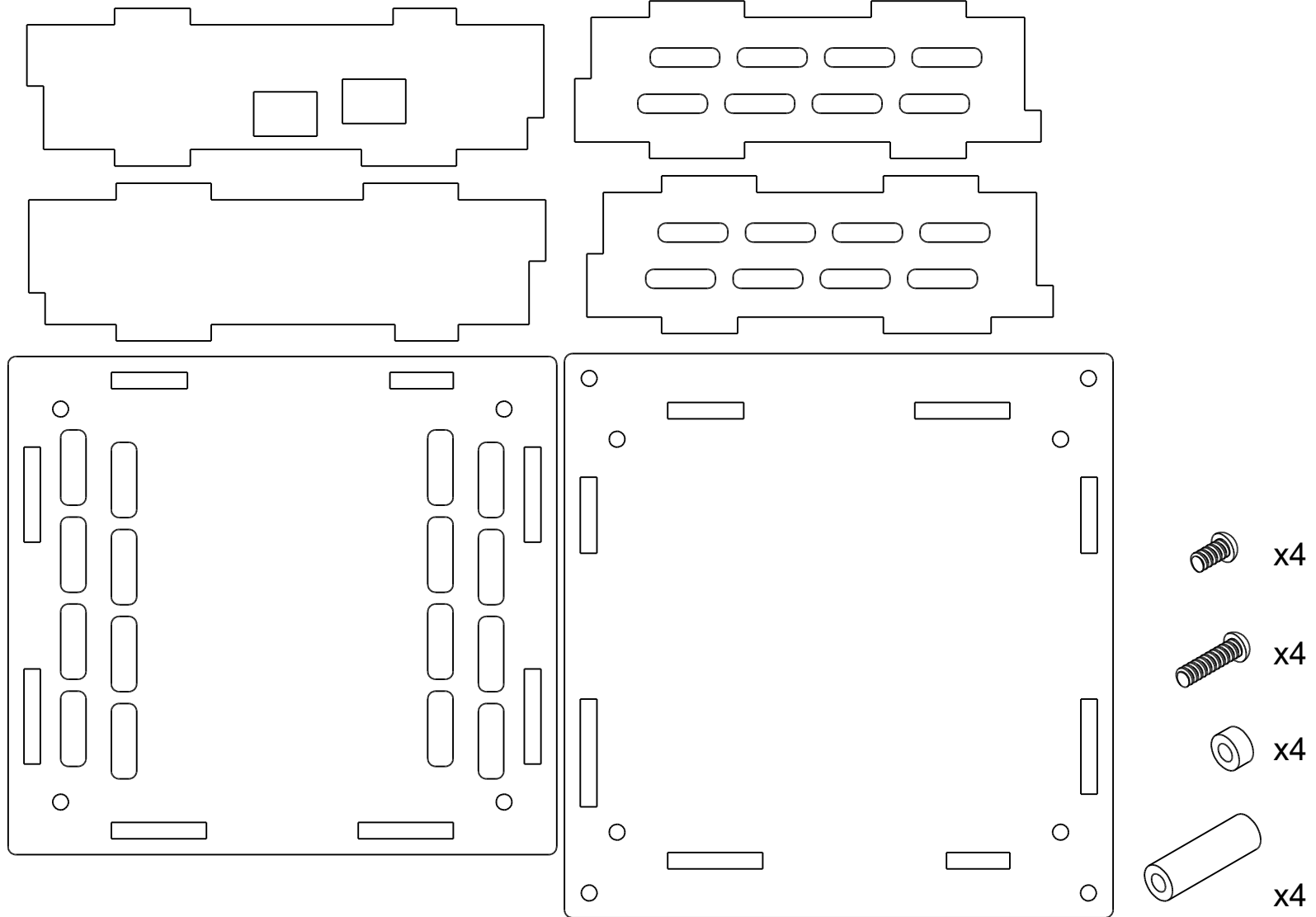


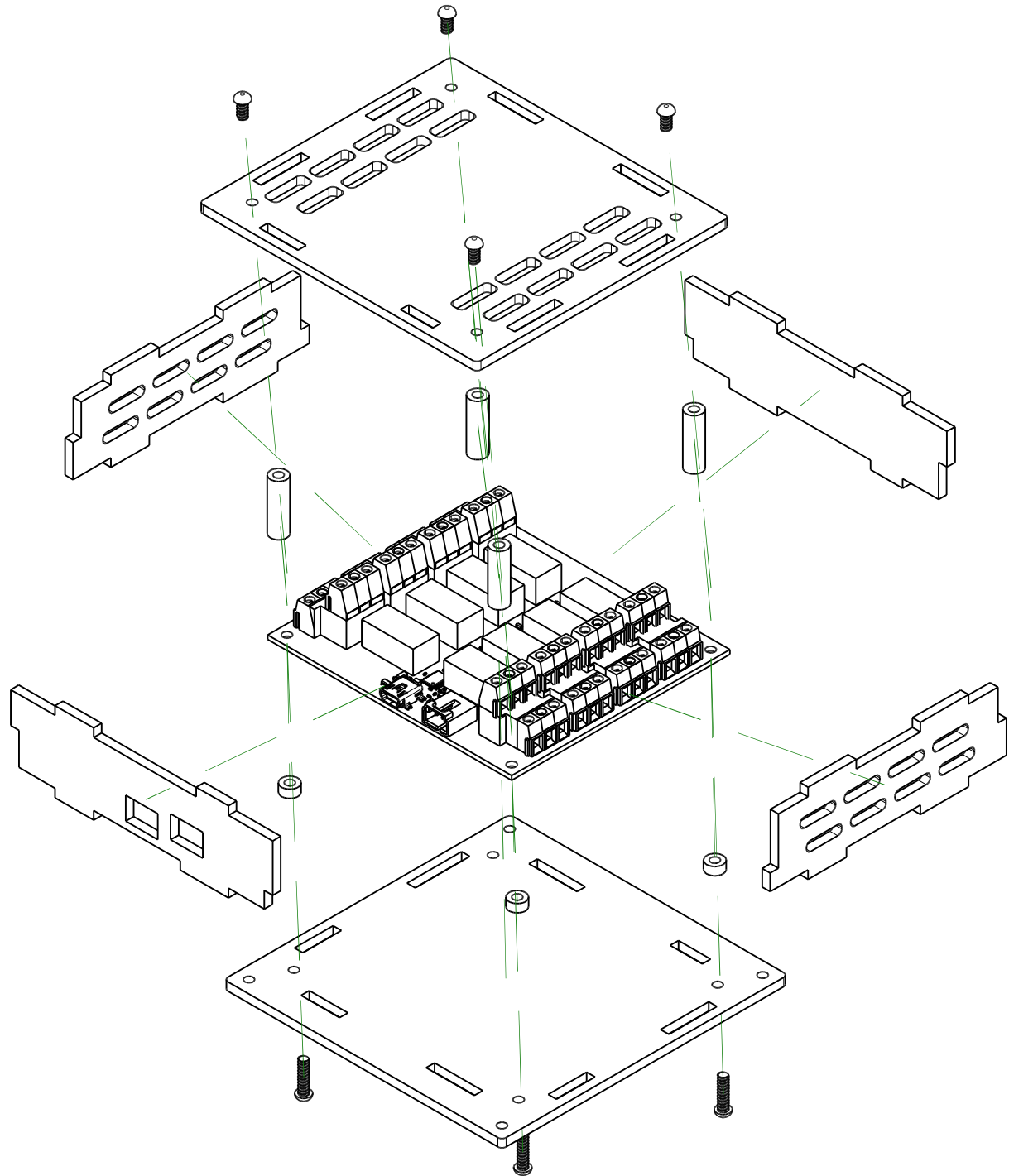
# Phidget Enclosure Assembly Instructions

PN 3803 : Acrylic Enclosure for 1017 PhidgetInterfaceKit 0/0/8



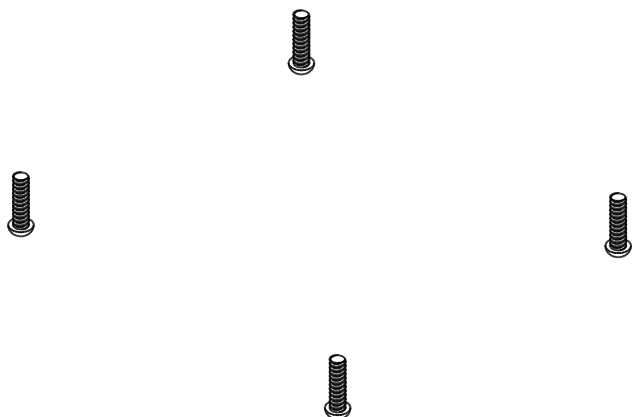
# Contents of Enclosure Kit



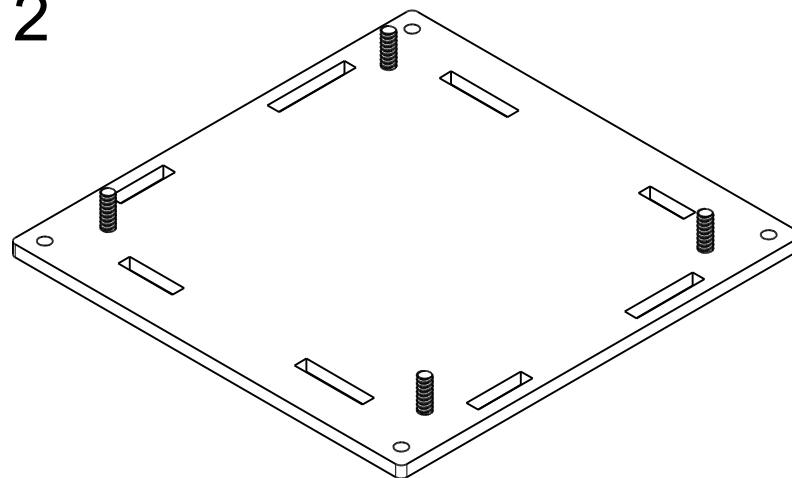


# Assembly Instructions

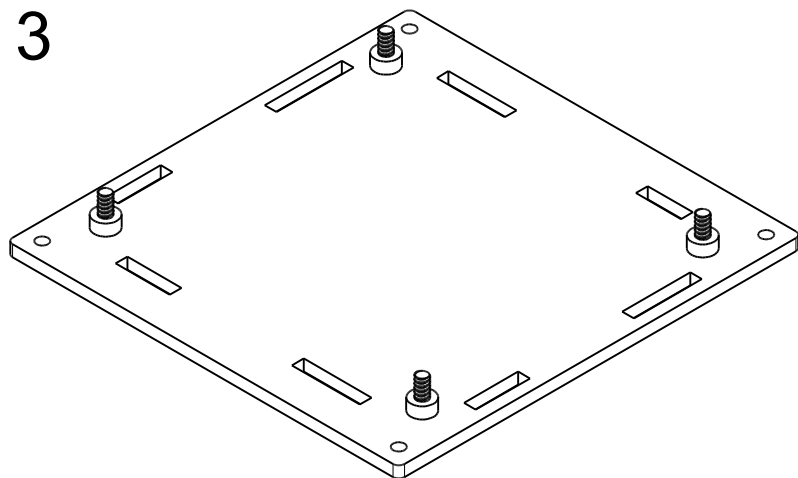
1



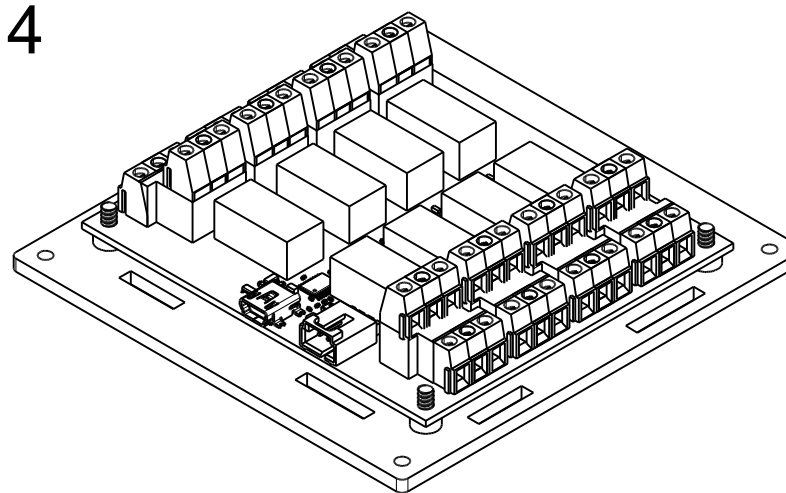
2



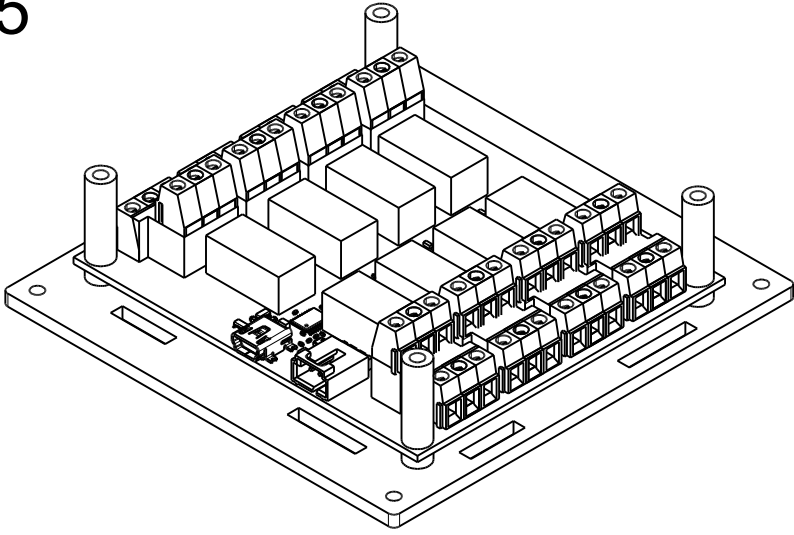
3



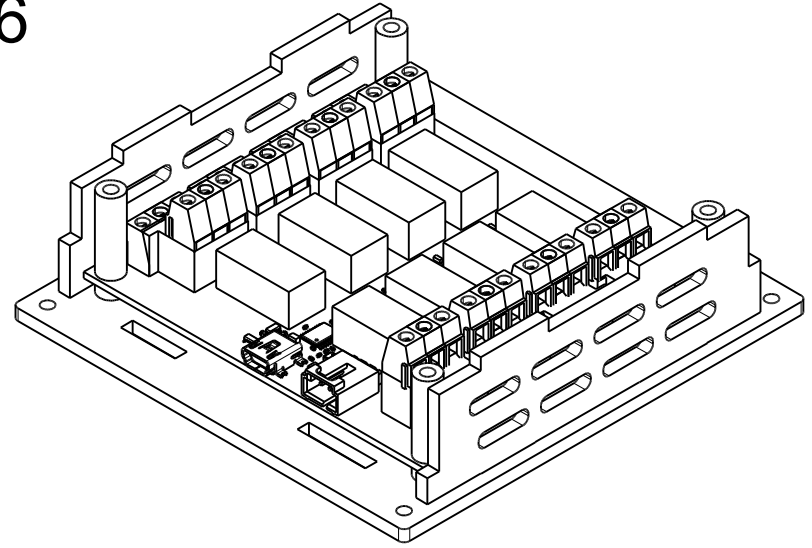
4



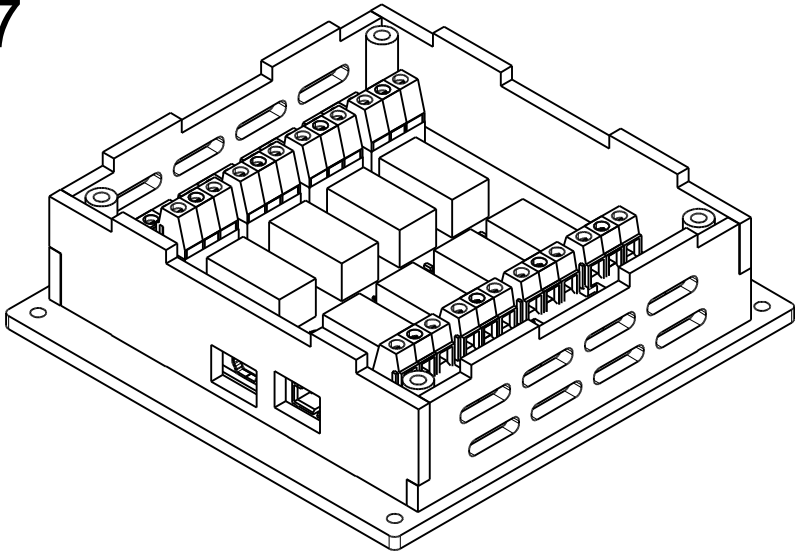
5



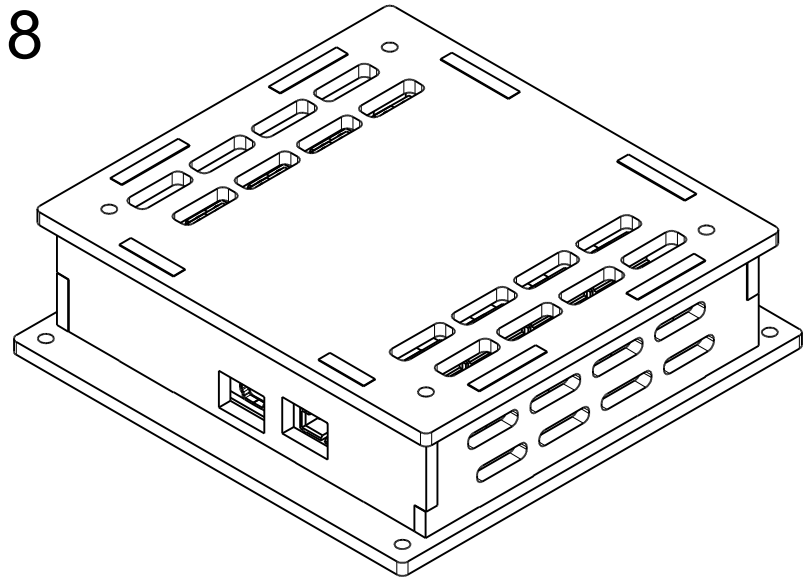
6



7



8



9

