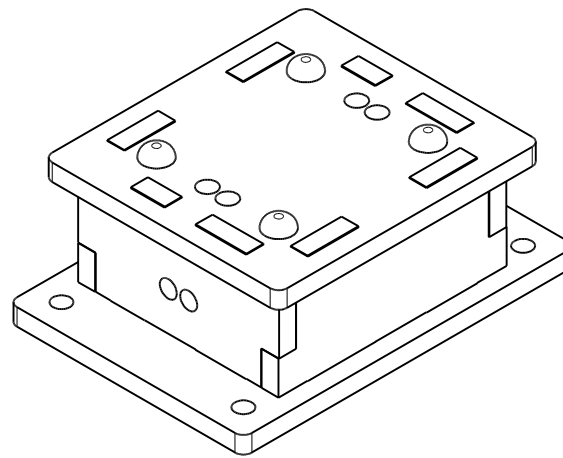
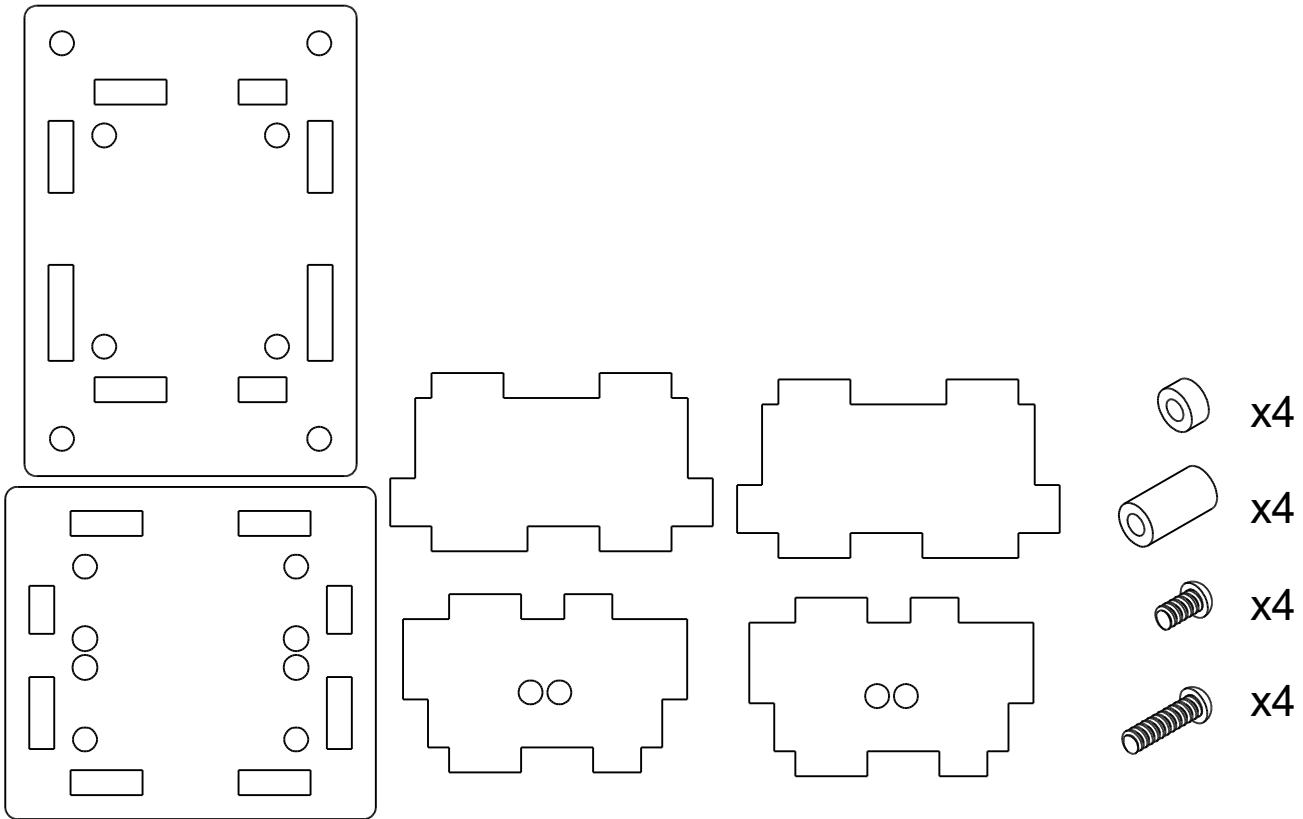


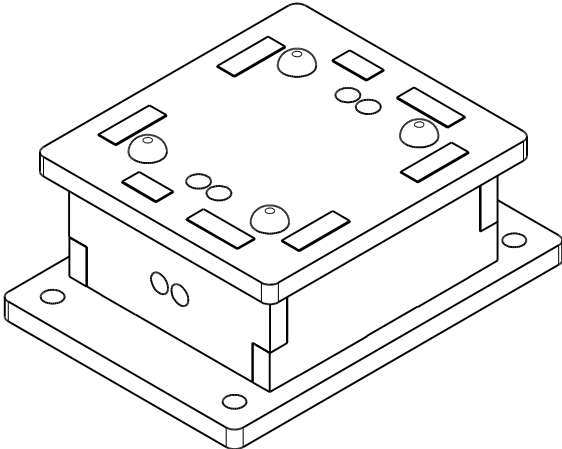
# Phidget Enclosure Assembly Instructions

PN 3821 : Acrylic Enclosure for the 3052 Solid State Relay Board



# Contents of Enclosure Kit





# Assembly Instructions

