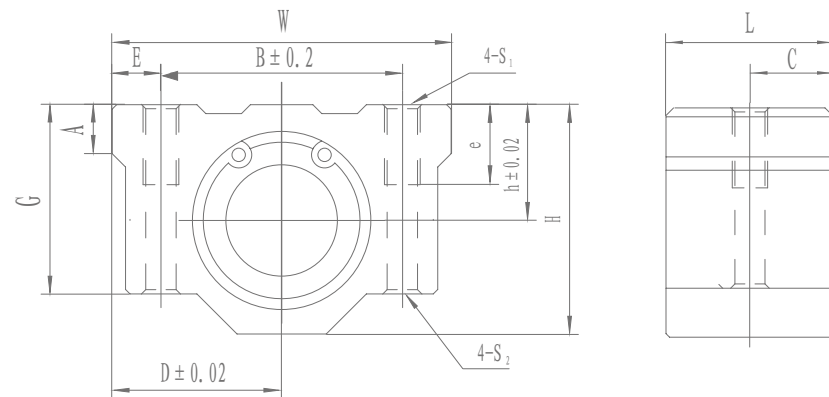


▶ SC □ V-UU



SC □ V-UU



型号说明
Model Specification

SC	V	S	L	UU
铝滑块 Item	短型 Short	标准 Standard	加长 Long	密封 Seals

型号 Part Number	主要尺寸和安装尺寸 Main dimensions and Mounting dimensions (mm)												额定载荷 Basic Load Rating		重量 g Weight
	h	D	L	W	H	G	A	E	B	C	S1×e	S2	动 dyn.c	静 stat.c0	
SC8V-UU	11	17	15.4	34	22	18	6	5	24	7.7	M4×8	3.4	274	392	27
SC10V-UU	13	20	19.9	40	26	21	8	6	28	9.95	M5×12	4.3	372	549	53
SC12V-UU	15	21	20.9	42	28	24	8	5.75	30.5	10.45	M5×12	4.3	510	784	60
SC13V-UU	15	22	20.9	44	30	24.5	8	5.5	33	10.45	M5×12	4.3	510	784	64
SC16V-UU	19	25	24	50	38.5	32.5	9	7	36	12	M5×12	4.3	774	1180	110
SC20V-UU	21	27	28	54	41	35	11	7	40	14	M6×12	5.2	882	1370	144
SC25V-UU	26	38	37.8	76	51.5	42	12	11	54	18.9	M8×18	7	980	1570	340
SC30V-UU	30	39	41.3	78	59.5	49	15	10	58	20.65	M8×18	7	1574	2740	424
SC35V-UU	34	45	45.3	90	68	54	18	10	70	22.65	M8×18	7	1670	3140	626
SC40V-UU	40	51	56.3	102	78	62	20	11	80	28.15	M10×25	8.7	2160	4020	1000
SC50V-UU	52	61	68.8	122	102	80	25	11	100	34.4	M10×25	8.7	3820	7940	2100
SC60V-UU	58	66	79.4	132	114	94	30	12	108	39.7	M12×25	10.7	5700	12000	3800

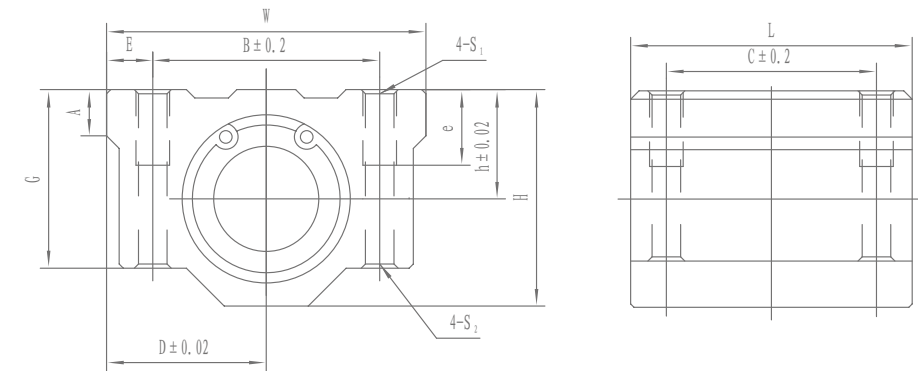
▶ SC □ S-UU/SC □ SAJ-UU



SC □ S-UU



SC □ S-AJ-UU



型号说明
Model Specification

SC	V	S	L	AJ	UU
铝滑块 Item	短型 Short	标准 Standard	加长 Long	调隙 Adjustment	密封 Seals

型号 Part Number	主要尺寸和安装尺寸 Main dimensions and Mounting dimensions (mm)												额定载荷 Basic Load Rating		重量 g Weight
	h	D	L	W	H	G	A	E	B	C	S1×e	S2	动 dyn.c	静 stat.c0	
SC6S-UU	9	15	25	30	18	15	6	5	20	15	M4×8	3.4	206	265	34
SC8S-UU	11	17	30	34	22	18	6	5	24	18	M4×8	3.4	274	392	52
SC10S-UU	13	20	35	40	26	21	8	6	28	21	M5×12	4.3	372	549	92
SC12S-UU	15	21	36	42	28	24	8	5.75	30.5	26	M5×12	4.3	510	784	102
SC13S-UU	15	22	39	44	30	24.5	8	5.5	33	26	M5×12	4.3	510	784	120
SC16S-UU	19	25	44	50	38.5	32.5	9	7	36	34	M5×12	4.3	774	1180	200
SC20S-UU	21	27	50	54	41	35	11	7	40	40	M6×12	5.2	882	1370	255
SC25S-UU	26	38	67	76	51.5	42	12	11	54	50	M8×18	7	980	1570	600
SC30S-UU	30	39	72	78	59.5	49	15	10	58	58	M8×18	7	1574	2740	735
SC35S-UU	34	45	80	90	68	54	18	10	70	60	M8×18	7	1670	3140	1100
SC40S-UU	40	51	90	102	78	62	20	11	80	60	M10×25	8.7	2160	4020	1590
SC50S-UU	52	61	110	122	102	80	25	11	100	80	M10×25	8.7	3820	7940	3340
SC60S-UU	58	66	122	132	114	94	30	12	108	90	M12×25	10.7	6500	13000	4270