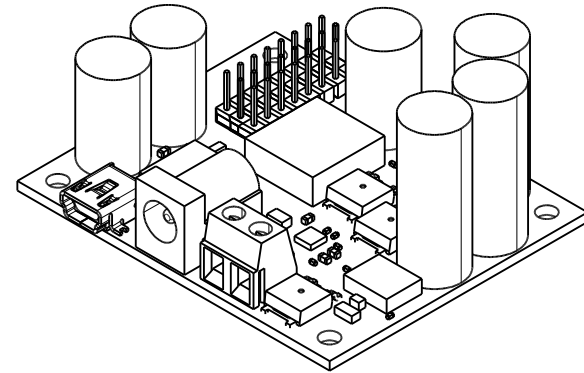
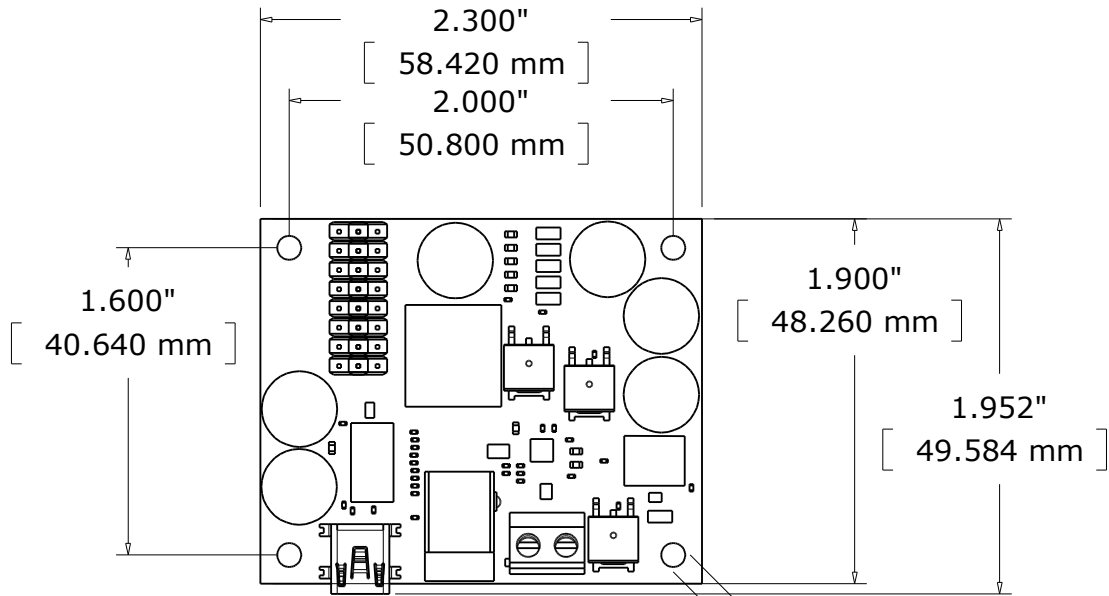
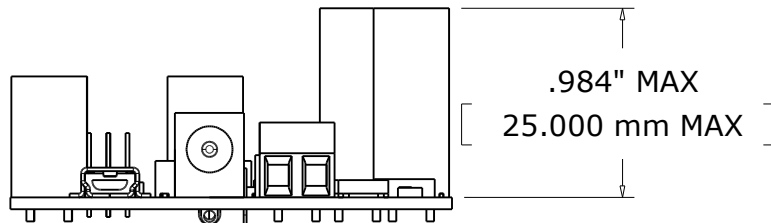


RCC0004_0 Mechanical Drawing



$\varnothing.125"$
[$\varnothing3.175$ mm]



.142"
[3.600 mm]

