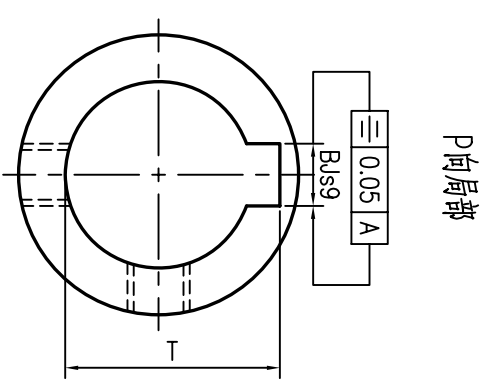
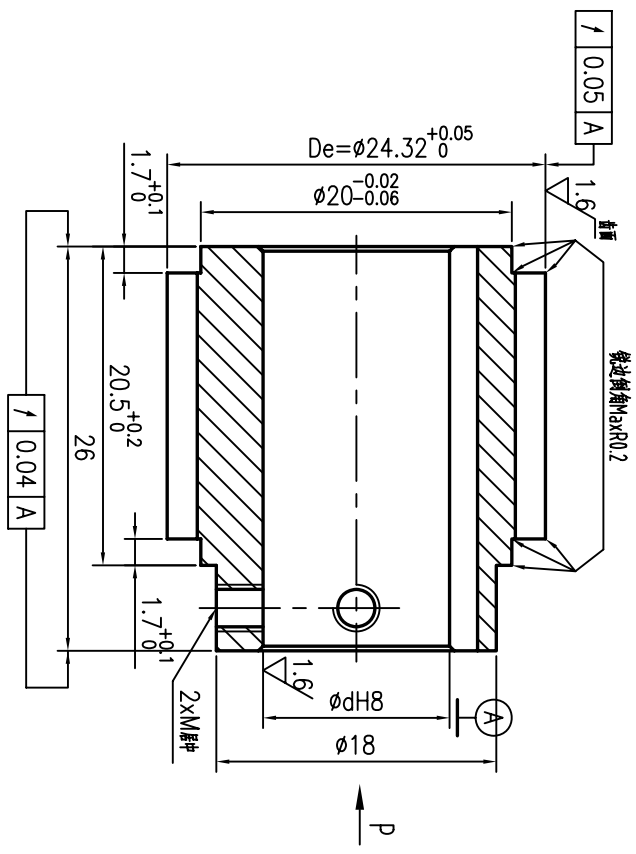


FLANGE 508#-1.0



技术要求

1. 未注倒角C0.3, 锐边倒钝去毛刺, Unquoted chamfer C0.3, break sharp edges
2. 各表面不得有划伤, 锈迹等缺陷, All surfaces must be rust free and no scratch
3. 未注尺寸公差按ISO 2768-MK标准, dimensions without tolerance according to 2768-MK
4. 节距偏差: 任意相邻两齿 ± 0.03 , 90度圆弧内累计偏差在 ± 0.1 内; Pitch tolerance: within ± 0.03 for any neighboring two teeth within ± 0.1 for 90° arch
5. 产品打字, 装配紧定螺钉; Marking part No, Setscrews installed



产品编号/Part No.	d	B	T	M
TRM4_120_0	12.7 ^{+0.027} ₀	4 ± 0.015	13.8 ^{+0.1} ₀	M4
TRM4_125_0	12.7 ^{+0.027} ₀	3.18 ± 0.015	14.29 ^{+0.1} ₀	8-32UNC

名称/Name: 同步轮		型号/Code: GT5M,Z16		共 页 第 页	
图号/Drawing No: TRM4_120_0~4_125_0	材料/Material: LY12(2024-T6)	更新/Rev: 0	比例: 3:1	Dengdu Leno Machinery Co.Ltd Tel: +86-28-65998057; Fax: +86-28-64462968 sales@clleno.com; www.clleno.com	
设计/Design: zhang	更改文件号/Revision: 标准化	签字/Signature: huang	日期/Date:	审核/Check: huang	日期/Date: