

Connecting Elements
连接件

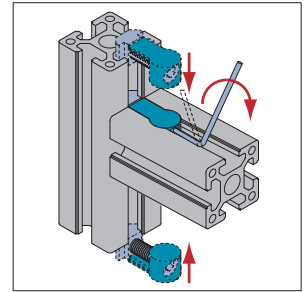
Butt Connector
内置连接件

Butt Connectors are widely used in clean room and profile bar subsequent installation.

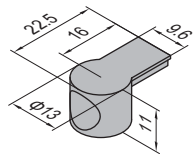
内置连接件主要用于型材附属连接，广泛的应用于洁净室。

Material: diecast zinc nickel plated

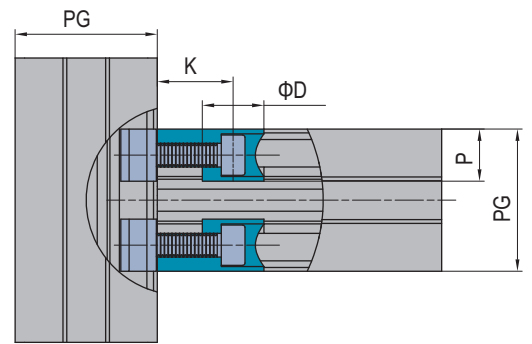
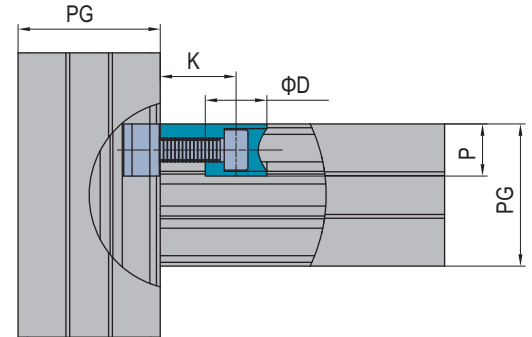
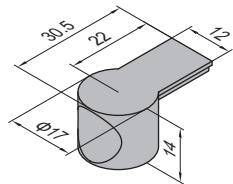
材质：锌铝合金 表面镀镍









Butt Connector-8
内置连接件-8



Butt Connector-10
内置连接件-10



Q	Fastening Set	S	Fastening Set	T	Fastening Set
	M5x20 Bolt zinc plated		M8x30 Bolt zinc plated		M8x25 Bolt zinc plated
	M5 Pre-set Nut nickel plated		M8 Pre-set Nut nickel plated		M8 Pre-set Nut nickel plated

Description 产品描述	PG 型材系列	K (mm)	D (mm)	P (mm)	Fastening Set 紧固组件	Mass 重量 (g)	Part No. 订购编号
Butt Connector-8 (pcs) 内置连接件-8 (单个供货)	PG30	16	13	11		9	3.61.08
Butt Connector-8 (set) 内置连接件-8 (成套供货)	PG30	16	13	11	1xQ	20	3.61.08.ST
Butt Connector-10 (pcs) 内置连接件-10 (单个供货)	PG40/PG45/PG50/PG60	22	17	14		15	3.61.10
Butt Connector-10-4 (set) 内置连接件-10-4 (成套供货)	PG40	22	17	14	1xT	41	3.61.10.04.ST
Butt Connector-10-6 (set) 内置连接件-10-6 (成套供货)	PG45/PG50/PG60	22	17	14	1xS	43	3.61.10.06.ST